

The following is a summary installation guide for Quik-Therm Solar Dry. For detailed step by step engineered instructions please refer to "Guide to Attaching Exterior Wall Coverings through Foam Sheathing to Wood or Steel Wall Framing" by the Foam Sheathing Coalition (FSC) found at:

<http://www.nationalgypsum.com/ng/file/FSCdoc.pdf>

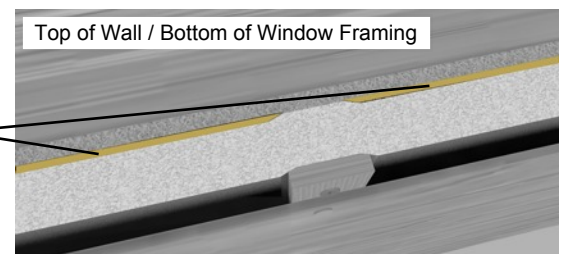
Quik-Therm™ Solar Dry has been tested by Canadian Certified Laboratories and is supported by Leading Building Science Engineering. CCMC Listing 13457-L.

**NOTE:** For detailed installation instructions, please refer to SDI installation video found at [quiktherm.com](http://quiktherm.com).

## Installation Recommendations

- **Best Practice Furring Strips:** Using 3/4" plywood strips (minimum 2" wide) or 1"x 4" strapping. 3/4" thickness meets cement board installation requirements and provides a code compliant rainscreen.
- Determine wall framing spacing. SDI is available in 16" or 24" O.C. For heavy cladding materials such as cement board siding and stucco, furring strips must match up with vertical wall studs.
- Fasteners should be installed as per FSC guidelines. Fasten furring through SDI to framing using appropriate length screws. For screw length and penetration depth relative to SDI panel thickness, refer to FSC. In some instances (coastal climates), treated fasteners and/or furring strips may be required. Check with a Design Professional.
- SDI is engineered for vertical furring strip applications. For horizontal applications, refer to Quik-Therm MPI or Connect. Consult a Design Professional.
- General instructions apply to wood frame buildings up to 3 stories. For wood frame buildings from 4 to 6 stories, additional instructions apply. See reverse.
- Tape or foam all connections. Use spray foams and/or adhesives compatible with polystyrene foam insulation (i.e. Hilti CF 812 and PL-300). For cold weather applications, purchase cold weather spray foams and adhesives. For best tape application, use a spatula to apply uniform pressure to ensure a good seal between tape and SDI.

**IMPORTANT:** For best R-value performance, convection looping between SDI and substrate must be controlled. Apply a horizontal bead of spray foam or compatible sealant (minimum 1/2" thick) to top of the SDI panels (or top of wall), bottom of window framing, etc.



## General Notes:

- Install building wrap and window and door air barrier detailing before installing Quik-Therm Solar Dry (SDI) as per building code requirements.
- For wood frame buildings from 4 to 6 stories, see special fastening and installation instructions.
- Windows, Door Openings & Corners: Apply flashing, caulking, WRB and/or air barrier peel and stick products as required. See FSC.

**Caution:** This product is combustible. Protect from high heat sources. A protective barrier or thermal barrier may be required as specified in the appropriate building code.

**NOTE:** For detailed installation instructions, please refer to SDI installation video found at [quiktherm.com](http://quiktherm.com).

## Tools and Materials Required

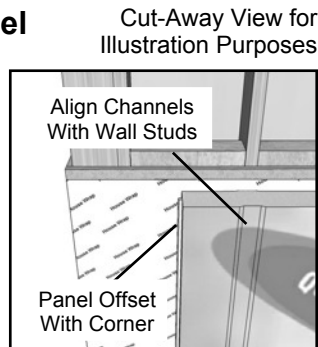
Hammer, Screw Gun and/or Nail Gun, Utility Knife & Blades, Hand Saw, Table and Circular Saw, Spray Foam and adhesive (PL-300) or compatible adhesive with Polystyrene foam, Coated Deck Screws (Appropriate length), Hammer Drill (Concrete Only), 4' Level, Caulking Gun, Measuring Tape. Optional: Table Saw.

### Step 1: Determine Stud Spacing

Determine spacing of 16" or 24" to match up with QT Solar Dry furring strip channels.

### Step 2: First Corner SDI Panel

Apply a liberal bead of spray foam or compatible foam sealant along top of panel and/or top of wall. Install first panel offset from corner (label outward) ensuring channels line up with framing members and panel covers wall top plate. Corners will be filled in later in the installation process.



Install furring strips into channels over framing members using appropriate fasteners, securing panel to the studs.

### Step 3: Install Adjacent SDI Panels

Line up each panel tight against previously installed panel. Furring channels should line up with studs.

**NOTE:** SDI may be custom cut vertically if stud spacing is not consistently 16" or 24" apart.

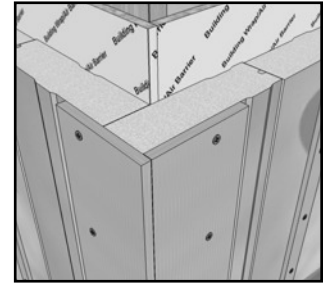
Apply a liberal bead of spray foam or compatible foam sealant along top of SDI panel and/or along wall top plate.

Install panel (label outward) flush with existing panel, ensuring panels cover wall top plate and a proper connection is achieved at the joints. Attach furring strips. Tape or foam connections.

### Step 4: Corner Panels

To accommodate cladding and trim, it is best to install SDI flat against the corners. A flat area can most times be achieved using panel cut-offs, rotating and trimming as required. To cover corners, cut and install custom width furring strips as required. Tape and foam all joints.

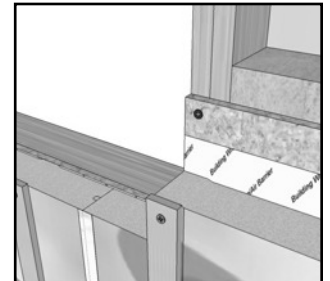
For instances where a flat area cannot be achieved at the corner, additional fasteners may be required to slightly squeeze and shape SDI. Note that a 1/8" projection discrepancy between furring strips is typically acceptable. Check with cladding manufacturer.



### Step 5: Window & Door Openings

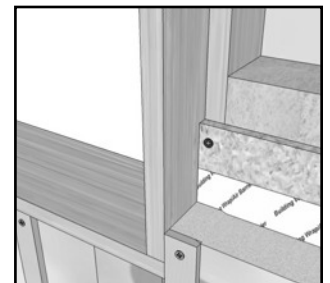
#### Best Practice:

Stops thermal bridging through framing at corners and openings.



#### Option 2:

Construct the appropriate size build-out. Install SDI flush to build-out. Foam between build-out and SDI.



## Buildings from 4 to 6 Stories: Additional Installation Instructions

- Solar Dry to be installed vertically.
- Wood furring installed into 3/16" channels, 16" O.C.
- #10 x 4-3/4 inch GRK R4 screws spaced 8" O.C. fastened through the furring directly into the wall stud.
- Screws must penetrate the wall studding as per FSC guidelines.
- All vertical and horizontal joints should be foamed and taped.
- Install cladding as per design requirements.



Quik-Therm Insulation Solutions Inc.

1 888 735 3012

[www.quiktherm.com](http://www.quiktherm.com)

*The information presented herein is based upon data considered accurate. Quik-Therm Insulation Solutions Inc. does not assume any responsibility for any misrepresentation or assumptions the reader may formulate. Please check local building codes prior to installing Quik-Therm products.*

**\* General Notes:**

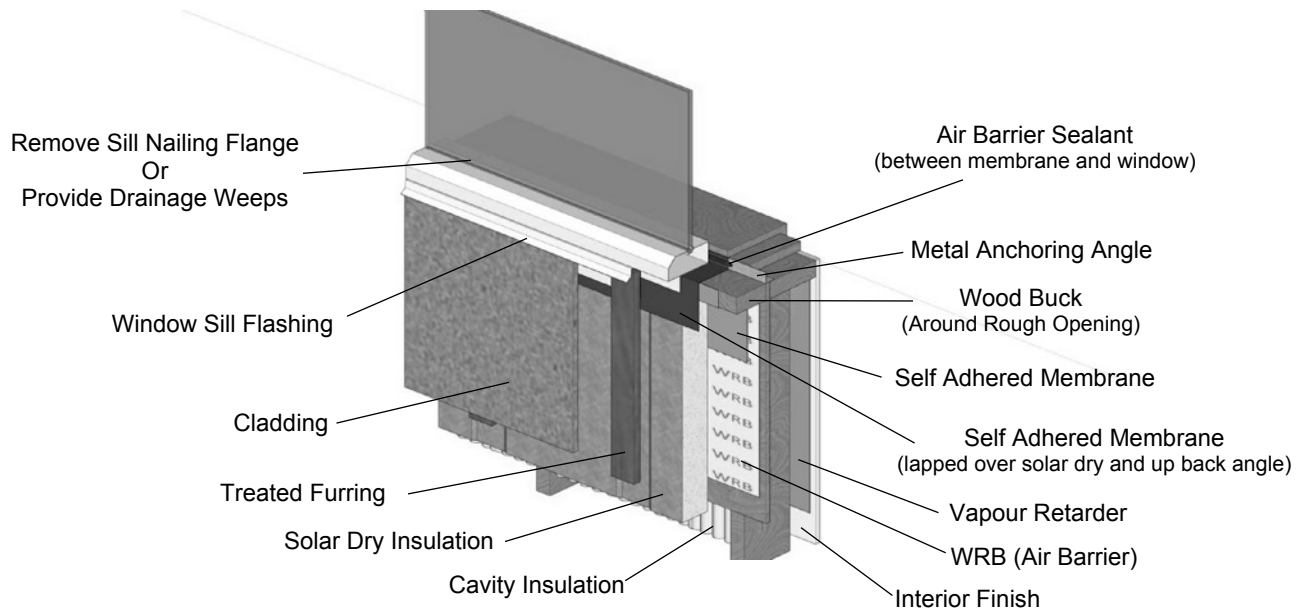
Although a wood frame building is shown, these general instructions are also applicable to metal framed structures.

The techniques shown below are applicable for window and door frame openings.

Apply flashing, caulking and peel & stick products to be installed ensuring there is no air or moisture penetration. Consult with local building professional and refer to peel & stick manufacturer recommendations.

Adhere to local building codes, manufacturer instructions and best practices as outlined by a building design professional.

## Window Sills & Doors



## Window & Door Headers

